

Hydraulic nut splitters

Used to remove corroded and seized nuts

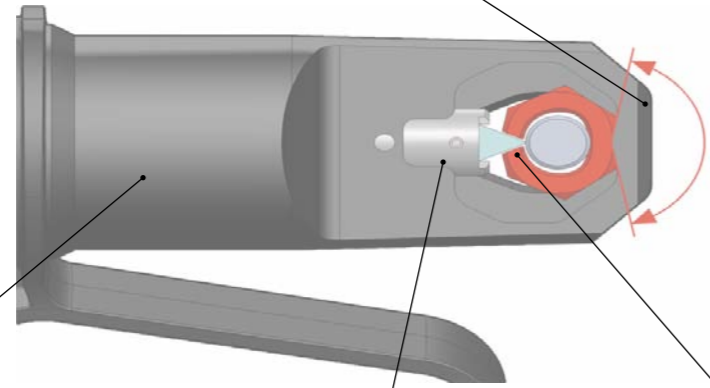


Atlas Copco



Hydraulic nut splitters

The combination of the sharp cutting tip and opposing convex reaction point encourages more efficient splitting by spreading the nut open rather than squashing the nut onto the stud. This makes it easier to rotate the nut for the second cut



Integral hydraulic cylinder with high grade material to make it smallest and lightest nut splitter

Quick and easy cutting tip replacement

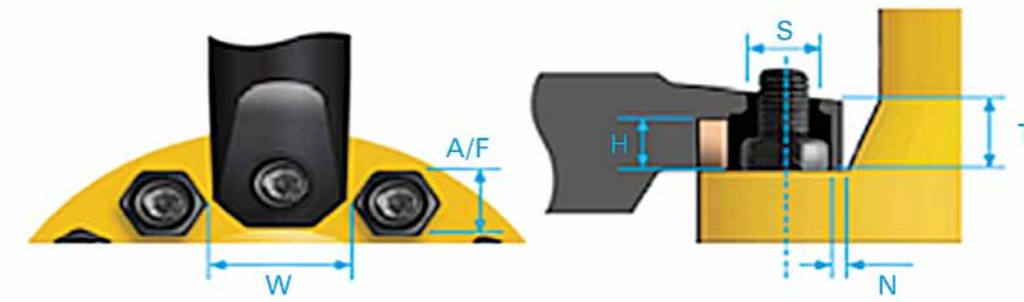
Cutting tip made from heat-treated shock-resisting tool steel for better cut and longer life

Features

- A** Five models (22-75 mm A/F)
- B** Non standard range to cover up to 115 mm A/F
- C** Compact design to work on flanges
- D** Easy to change blade
- E** Ergonomically designed



Spatial envelope



Bolt Size	1/2"		9/16"		5/8"		3/4"		7/8"		1"	
	Heavy	Standard	Heavy	Standard	Heavy	Standard	Heavy	Standard	Heavy	Standard	Heavy	
Nut Size A/F	22.2mm (7/8")	22.2mm (7/8")	23.8mm (15/16")	23.8mm (15/16")	27mm (1 1/16")	28.6mm (1 1/8")	31.8mm (1 1/4")	33.3mm (1 5/16")	36.5mm (1 7/16")	38.1mm (1 1/2")	41.3mm (1 5/8")	
Tool	ACNS12	ACNS12	ACNS12/ACNS15	ACNS12/ACNS15		ACNS15		ACNS15	ACNS15/ACNS20	ACNS20		

1 1/8"		1 1/4"		1 3/8"		1 1/2"		1 5/8"		1 3/4"	
Standard	Heavy	Standard	Heavy	Standard	Heavy	Standard	Heavy	Standard	Heavy	Standard	Heavy
42.9mm (1 11/16")	46mm (1 13/16")	47.6mm (1 7/8")	50.8mm (2")	52.4mm (2 1/16")	55.6mm (2 3/16")	57.2mm (2 1/4")	60.3mm (2 3/8")	61.9mm (2 7/16")	65.1mm (2 9/16")	66.7mm (2 5/8")	69.9mm (2 3/4")
ACNS20	ACNS20/ACNS36	ACNS36	ACNS36	ACNS36		ACNS36		ACNS36	ACNS36/ACNS50	ACNS50	

1 7/8"		2"	
Standard	Heavy	Standard	Heavy
71.4mm (2 13/16")	74.6mm (2 15/16")	76.2mm (3")	79.4mm (3 1/8")
ACNS50		ACNS50	ACNS50

Symbol	Measurement	ACNS12		ACNS15		ACNS20		ACNS36		ACNS50	
		Min	Max	Min	Max	Min	Max	Min	Max	Min	Max
A/F	Across Flats	175 mm (0.69")	30.0 mm (1.18")	23.0 mm (0.91")	36.5 mm (1.44")	32.0 mm (1.26")	51.0 mm (2.01")	50.8mm (2.0")	65mm (2.6")	50.8mm (2.0")	80mm (3.15")
W	Clear Width	53.5 mm (2.11")	-	57.0 mm (2.24")	-	83.5 mm (3.29")	-	107.6mm (4.2")	-	107.6mm (4.2")	135mm (5.31")
S	Stud Diameter	-	24.5 mm (0.96")	-	25.5 mm (1.00")	-	38.0 mm (1.50")	-	49.2mm (1.94")	-	61mm (2.4")
H	Cutting height	-	20.0 mm (0.79")	-	22.0 mm (0.87")	-	31.5 mm (1.24")	-	45.5mm (1.8")	-	54.5mm (2.15")
N	Nose clearance	8.5 mm (0.33")	-	9.0 mm (0.35")	-	16.0 mm (0.63")	-	10.5mm (0.4")	-	10.5mm (0.4")	27mm (1.06")
T	Nose height	26.5 mm (1.04")		32.5 mm (1.28")		45 mm (1.77")		56mm (2.2")		65mm (2.56")	

Ordering No.	Our Model	Weight		Nut Range A/F	
		Kg	Lbs	MM	Inch
8434 2058 00	ACNS12	4	8.8	175 mm - 30.0 mm	(0.69" - 1.18")
8434 2058 01	ACNS15	4.5	9.9	23.0 mm - 36.5 mm	(0.91" - 1.44")
8434 2058 02	ACNS20	7	15.4	32.0 mm - 51.0 mm	(1.26" - 2.01")
8434 2058 03	ACNS36	11	24.2	50.8 mm - 65.0 mm	(2.00" - 2.56")
8434 2058 11	ACNS50	24.5	54	65 mm - 75.0 mm	(2.56" - 2.94")

Bolt Size	M14	M16	M20	M24	M30	M36	M42	M48
	Standard	Standard	Standard	Standard	Standard	Standard	Standard	Standard
Nut Size A/F	21mm (0.83")	24mm (0.94")	30mm (1.2")	36mm (1.4")	46mm (1.8")	55mm (2.2")	65mm (2.6")	75mm (3.0")
Tool	ACNS12	ACNS12/ACNS15	ACNS15	ACNS15/ACNS20	ACNS20	ACNS36	ACNS36/ACNS50	ACNS50

Committed to sustainable productivity

We stand by our responsibilities towards our customers,
towards the environment and the people around us.
We make performance stand the test of time.
This is what we call – Sustainable Productivity.

www.atlascopco.com

Atlas Copco