

PZB15 Piston Motor

Jacques Fourie

Peter Horvath

23 March 2020



PZB15

Performance data

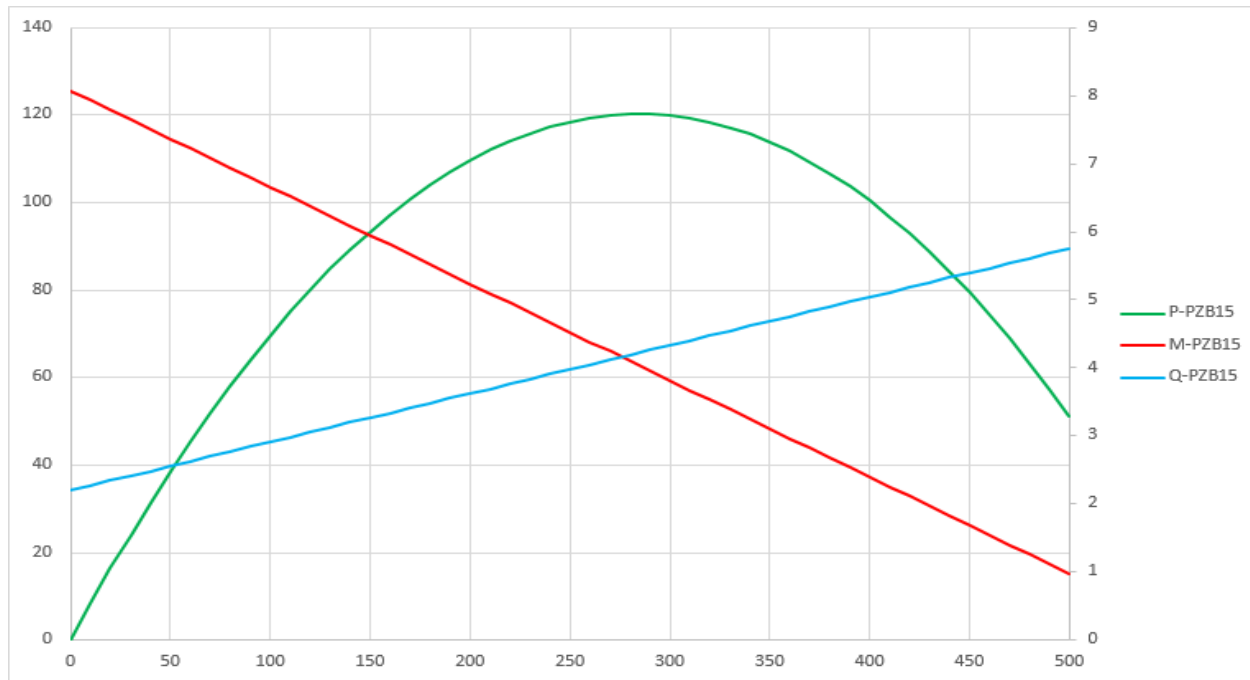
The PZB15 is compact and powerful, and energy efficient.

The motors delivers 120-Watt power using only 4.3 Liters of air.

The motor is stable in operation and easy to control.

The high starting torque 8Nm makes ideal for material handling, mixing and valve actuation applications to name but a few.

It will be available in standard, Nema and IEC configuration. An optional bearing flange to increase the radial load will also be available in the summer to further strengthen the offering.

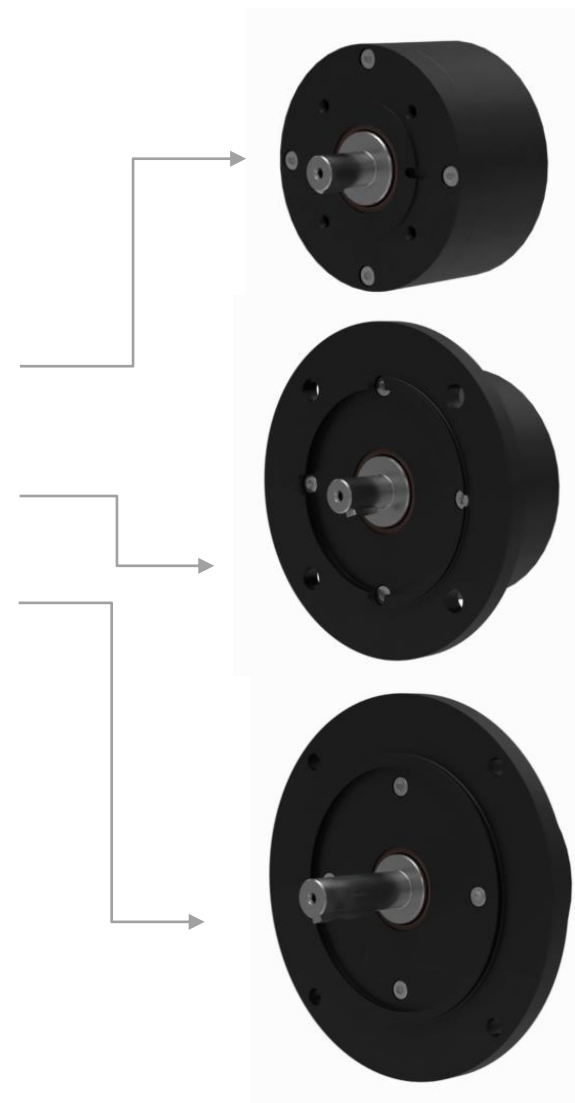


Speed Rpm	Power Kw (Hp)	Torque Nm (Ft-Lb)	Air cons. l/s (cfm)
100	0,07 (0,09)	6,6(4.8)	2,9 (6,1)
200	0,10 (0,13)	5,3(3,9)	3,6 (7,6)
300	0,12 (0,11)	3,8 (2,8)	4,3 (9,1)
400	0,10 (0,13)	2,3(1,7)	5,4(11,4)
500	0,05 (0,06)	0,9 (0,6)	5,7 (12)

PZB RANGE

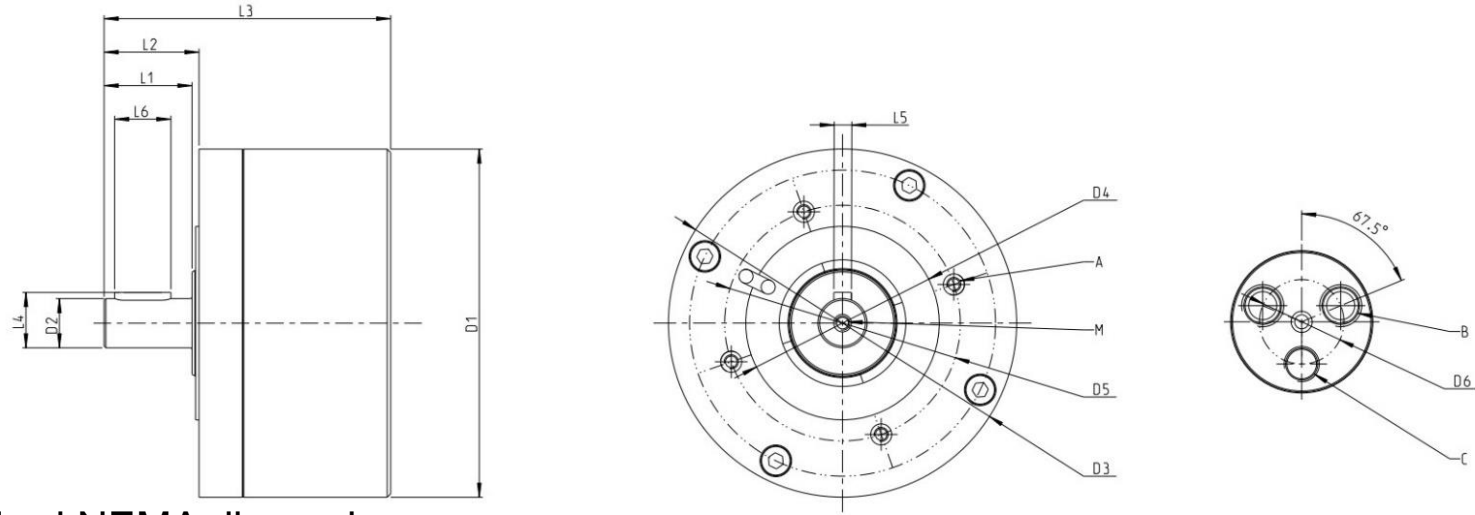
3 Motor models with flange options

Article	Description	Mounting
8411 4090 00	PZB09-L-AR500-11	Compact
8411 4090 18	PZB09-L-AR500-20	IEC-FF115
8411 4090 26	PZB09-L-AR500-21	NEMA-56C
8411 4090 34	PZB09-LE-AR500-11	Bearing Flange
8411415000	PZB15-L-AR500-11	Compact
8411415018	PZB15-L-AR500-11	IEC-FF115
8411415026	PZB15-L-AR500-11	NEMA-56C
* Bearing flange model available in September 2020.		
8411 4210 00	PZB21-L-AR300-11	Compact
8411 4210 18	PZB21-L-AR300-20	IEC-FF215
8411 4210 26	PZB21-L-AR300-21	NEMA-56C
8411 4210 34	PZB21-LE-AR300-11	Bearing Flange



PZB RANGE

Dimensions

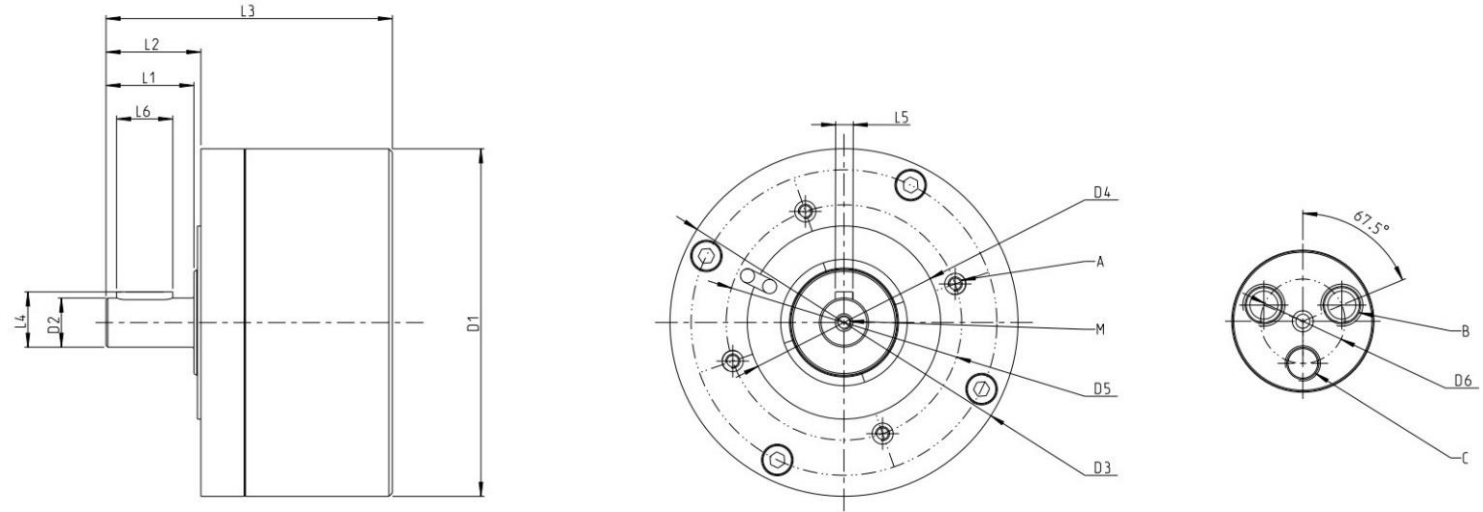


Note: All figures are in mm, except standard NEMA dimensions

Description	D1	D2	D3	D4	D5	D6	A	B	C
PZB09 - COMPACT	Ø99	Ø14	Ø99	Ø55	Ø67	Ø12	M4x9	M6x10	M5x6
PZB09 – IEC	Ø99	Ø14	Ø140	Ø95	Ø115	Ø12	Ø10	M6x10	M5x6
PZB09 – NEMA	Ø99	Ø5/8"	Ø6,5"	Ø4,5"	Ø5,875"	Ø12	3/8"-16	M6x10	M5x6
PZB15 – COMPACT	Ø99	Ø14	Ø99	Ø55	Ø67	Ø12	M4x9	M6x10	M5x6
PZB15 – IEC	Ø99	Ø14	Ø140	Ø95	Ø115	Ø12	Ø10	M6x10	M5x6
PZB15 – NEMA	Ø99	Ø5/8"	Ø6,5"	Ø4,5"	Ø5,875"	Ø12	3/8"-16	M6x10	M5x6
PZB21 – COMPACT	Ø159	Ø19	Ø159	Ø95	Ø115	Ø16	M6x10	G1/8"x10	M5x6
PZB21 – IEC	Ø159	Ø19	Ø240	Ø180	Ø215	Ø16	Ø14,5	G1/8"x10	M5x6
PZB21 – NEMA	Ø159	Ø5/8"	Ø6,5"	Ø4,5"	Ø5,875"	Ø16	3/8"-16x10	G1/8"x10	M5x6

PZB

Dimensions



Note: All figures are in mm, accept standard NEMA dimensions

Description	L1	L2	L3	L4	L5	L6	M
PZB09 – COMPACT	25	27	81,5	15,75	5	16	M4x10
PZB09 – IEC	25	24	81,5	15,75	5	16	M4x10
PZB09 – NEMA	50	2,06"	107,5	17,85	3/16"	1 1/4"	M4x10
PZB15 – COMPACT	25	27	96,5	15,75	5	16	M4x10
PZB15 – IEC	25	24	96,5	15,75	5	16	M4x10
PZB15 – NEMA	50	2,06"	122,5	17,85	3/16"	1 1/4"	M4x10
PZB21 – COMPACT	40	43	113,5	21,75	6	28	M6x18
PZB21 – IEC	40	39	113,5	21,75	6	28	M6x18
PZB21 – NEMA	50	2,06"	125	17,85	3/16"	1 1/4"	-

***COMMITTED TO
SUSTAINABLE PRODUCTIVITY.***



Atlas Copco

